

**FDB**

FLOOR DISTRIBUTION  
BOX



# FLOOR DISTRIBUTION BOX

## INTRODUCTION

The Floor Distribution Box is an underground system that is fixed to the floor once installed.

The design has many benefits including flexibility in installation and conjunction, as well as the ability to regulate if tilted, with the help of adjustable pedestals.

The plinth box that holds FDB to the

ground is spaciouly designed to hold multiple pipes and cable trays from each side. Its slightly larger size enables its flexibility of usage.

There are two types of Floor Distribution Boxes, Types I and II. Type I comes in two sizes only, whereas Type II comes in three sizes that include different numbers of rows and modules.

# FLOOR DISTRIBUTION BOX

## INSTALLATION



Underground connections from the four sides via pipes or cable trays.



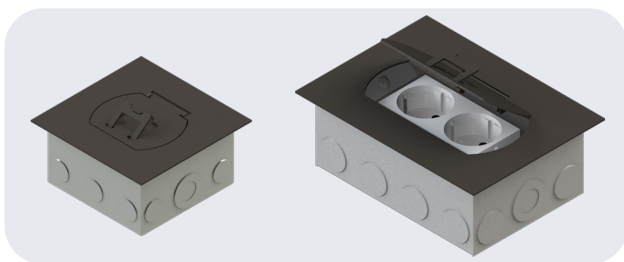
Final installation stage with the removable lid



The removable lid can be replaced with the desired material  
\* Depth of cavity is 12.5 mm

# TYPE I

## SPECIFICATIONS



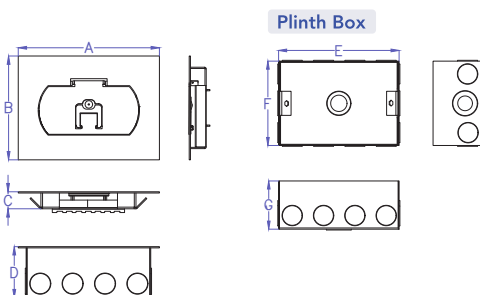
### ONE-PIECE TOP COVER & SOCKET HOLDER

- 1.5 mm thick stainless steel 316
- **OR** 1.5 mm thick galvanized steel sheet welded and coated with dark gray epoxy-polyester powder RAL 7022

### PLINTH BOX

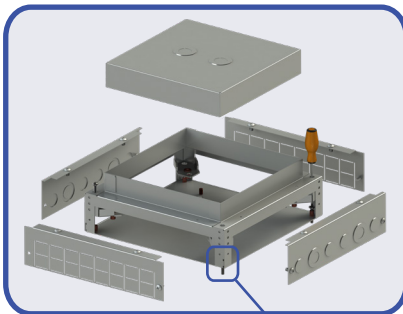
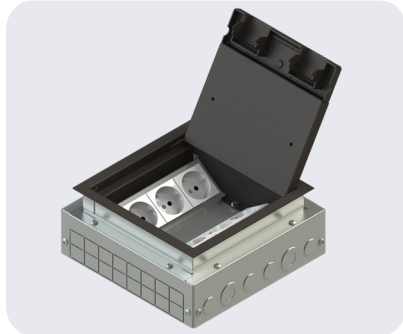
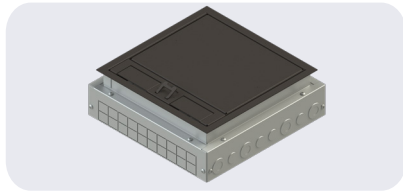
- 1mm thick galvanized sheet steel welded and coated with smoke-gray epoxy-polyester powder
- It has punched pipe knockouts from each side.

# REFERENCES & DRAWINGS

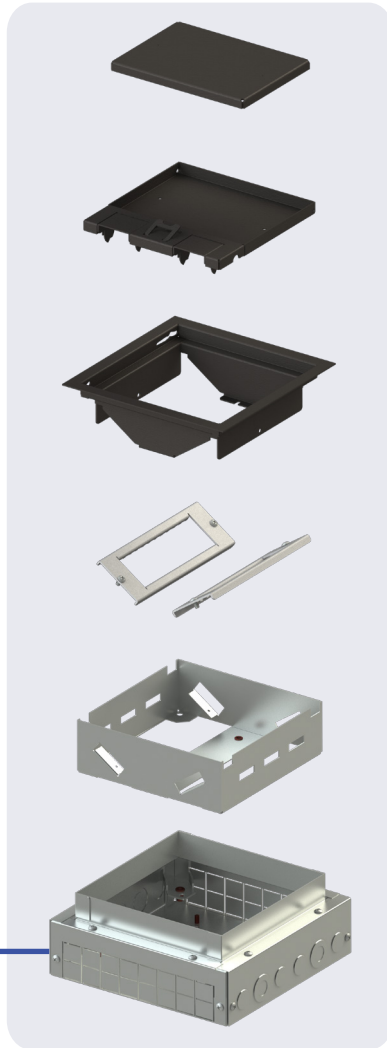
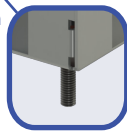


FDB References (Galvanized Steel)	FDB References (Stainless Steel)	Modules	Rows	Floor Distribution Box Dimensions (mm)						
				A	B	C	D	E	F	G
FDB2.GS-2M	FDB2.SS-2M	2	-	125	125	25	61.5	105	105	60
FDB2.GS-4M	FDB2.SS-4M	4	-	170	125	25	61.5	150	105	60

# TYPE II SPECIFICATIONS



The plinth box comes with removable side planks and adjustable pedestals. A disposable lid can be added as an option.



### REMOVABLE "SNAP-IN" COVER

- 2 mm thick stainless steel 316
- **OR** 2 mm thick galvanized steel sheet coated with epoxy-polyester powder RAL 7022

### TRAP HINGE COVER

- 1.5 mm thick stainless steel 316
- **OR** 1.5 mm thick galvanized steel sheet coated with epoxy-polyester powder RAL 7022

### FRAME COVER

- 1.5 mm thick stainless steel 316
- **OR** 1.5 mm thick galvanized steel sheet coated with epoxy-polyester powder RAL 7022

### SOCKET CHASSIS

- 2 mm thick galvanized steel sheet coated with epoxy-polyester powder RAL 7035
- Compatible with **Legrand®** Sockets
- [Other brands are available upon request]*

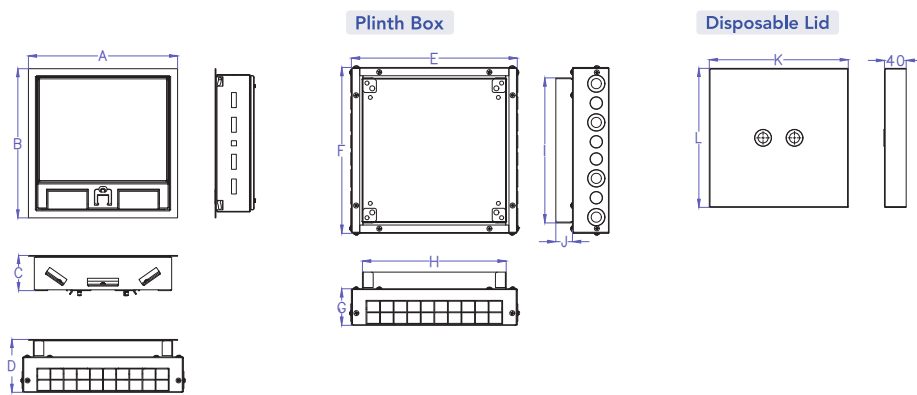
### TRAP

- 1 mm thick galvanized steel sheet coated with epoxy-polyester powder RAL 7035

### PLINTH BOX

- 1.25 mm thick galvanized base box
- 1 mm thick galvanized side planks with pre-punched duct and pipe knockouts
- 2 mm thick galvanized pillars and corners
- Plinth box welded and coated with smoke-gray epoxy-polyester powder
- Earth studs

## REFERENCES & DRAWINGS

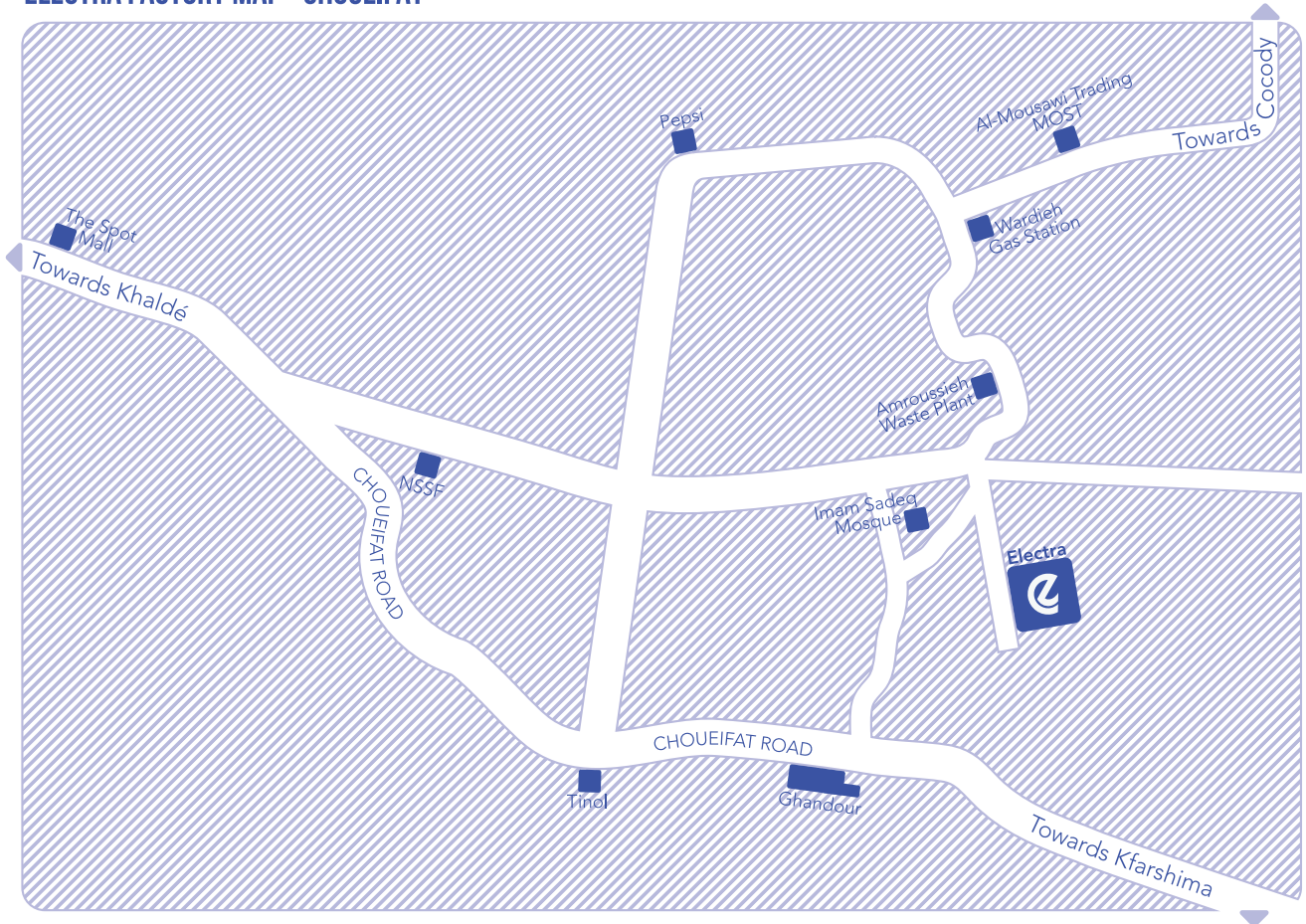


FDB References (Galvanized Steel)	FDB References (Stainless Steel)	Modules	Rows	Floor Distribution Box Dimensions (mm)										Disposable Lid References	Disposable Lid Dimensions	
				A	B	C	D	E	F	G	H	I	J		K	L
FDBA.GS-BGS-6M2R	FDBA.SS-BGS-6M2R	6	2	209	209	64.5	98.5	230.5	230.5	65	191	193.25	32	FDB-DL.GS-6M2R	187	187
FDBA.GS-BGS-9M2R	FDBA.SS-BGS-9M2R	9	2	209	278	64.5	98.5	230.5	299.5	65	191	262.25	32	FDB-DL.GS-9M2R	187	256
FDBA.GS-BGS-9M3R	FDBA.SS-BGS-9M3R	9	3	278	278	64.5	98.5	299.5	299.5	65	260	262.25	32	FDB-DL.GS-9M3R	256	256

## ELECTRA HEADQUARTERS MAP - HARET HREIK



## ELECTRA FACTORY MAP - CHOUEIFAT



### Headquarters

+961 1 550 850/950  
+961 70 812 842



### Factory

+961 5 490 111/222  
+961 70 813 533



info@electraco.com



www.electraco.com